



3300-10



3300 Series

3-inch Electric Directional Gyro

Manufactured by Mid-Continent Instruments and Avionics

THE 3300 SERIES WEIGHS JUST 1.9 LBS — ONE POUND LESS THAN MOST ELECTRIC DIRECTIONAL GYROS.



INNOVATIVE SAFETY FEATURE!

An enhanced warning circuit monitors input voltage and rotor speed. If either is insufficient at night, the compass card disappears.

- Multi-voltage 10–32 volt DC input remains valid until the aircraft main battery discharges to 10 VDC
- Direct replacement for many AIM205 and RC Allen RCA15 units
- Designed specifically for use in high vibration applications
- Warning flag monitors rotor speed and power input
- Anti-reflective glass enhances visibility and reduces fatigue
- Worldwide support program
- Requires less than half the power of standard directional gyros
- Long-life LED lighting, user selectable to 5, 14 or 28 volt input with adjustable brightness
- FAA TSO-C5e certified and RTCA DO-160E qualified
- Exceptional RTCA DO-160E HIRF immunity
- Designed and built in Wichita, Kansas, USA
- One-year limited warranty

3300 Series

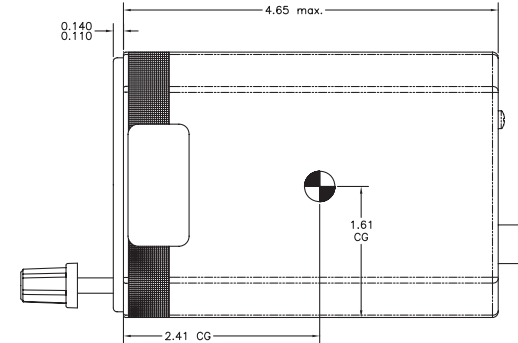
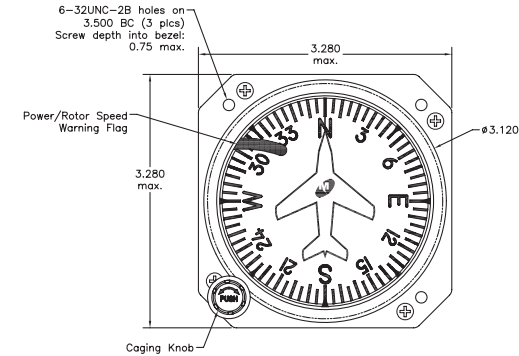
3-inch Electric Directional Gyro

Manufactured by Mid-Continent Instruments and Avionics



SPECIFICATIONS

Power Input	10-32 VDC
Current Rating	At 14 VDC Start 1.4A max Run 0.44A nominal At 28 VDC Start 0.6A max Run 0.22A nominal
Lighting	Internal LED lighting user selectable to 5, 14 or 28 VDC input Adjustable brightness
Weight	1.9 lbs
Length	4.65 inches
MTBF	2,500 hrs
Temperature Range	-40°C to +55°C (-40°F to 130°F)
Altitude	-15,000 to +50,000 ft
Connector	4-pin (MS3116E8-4P)
Mating Connector	Mid-Continent P/N 9015514 (MS3116F8-4S or equivalent)
Color	Index marks, text, symbolic airplane, logo White Bezel, dial background Black Power/rotor speed warning flag Red
Glass	Special HEA anti-reflective coating
Mounting	Rear panel mount in standard 3 1/8" round panel cutout



PART NUMBER	CONFIGURATION
3300-10	10-32 VDC
3300-11	10-32 VDC, LED lighting